

# PRODUCT INFORMATION PACKET



Model No: 5KH32FN5586X  
Catalog No: 5KH32FN5586X  
Carbonator Pump Motor, 0.33 HP, 1 Ph, 60 Hz, 115 V, 1800 RPM, 48Y Frame, DP



Regal and Leeson are trademarks of Regal Rexnord Corporation or one of its affiliated companies.  
©2024 Regal Rexnord Corporation, All Rights Reserved. MC017097E





### Nameplate Specifications

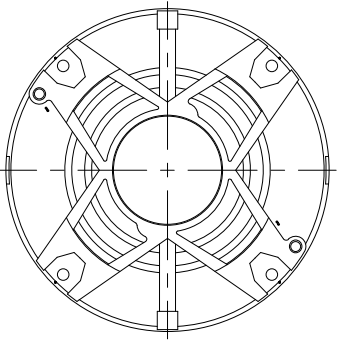
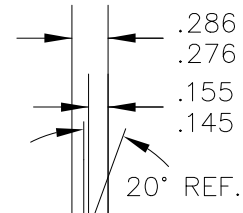
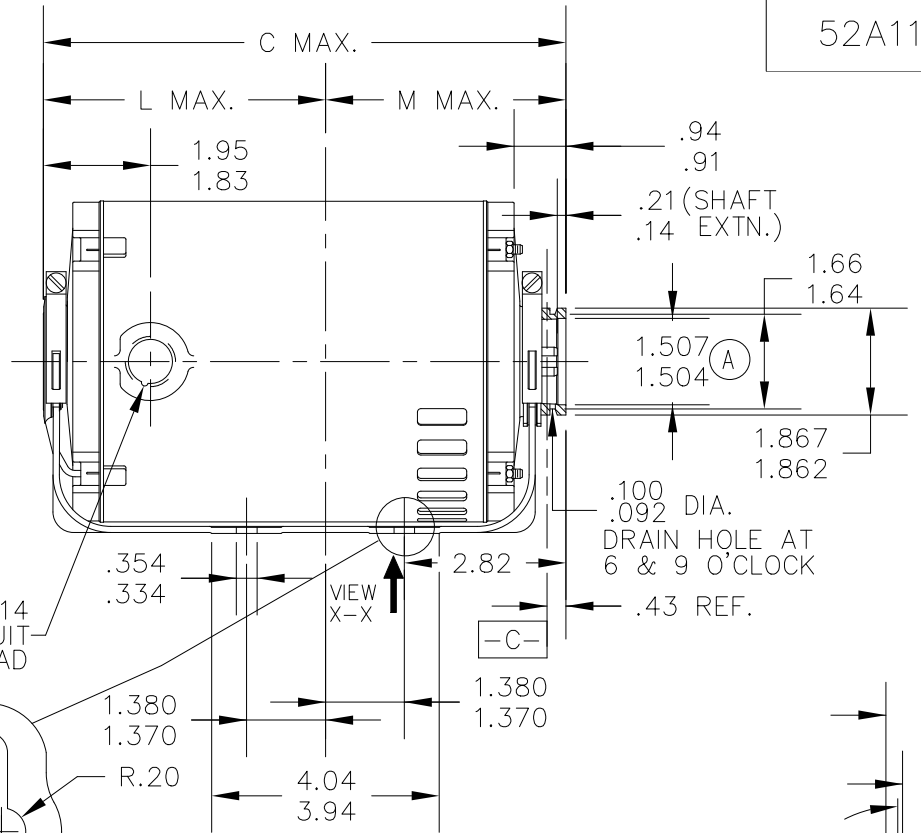
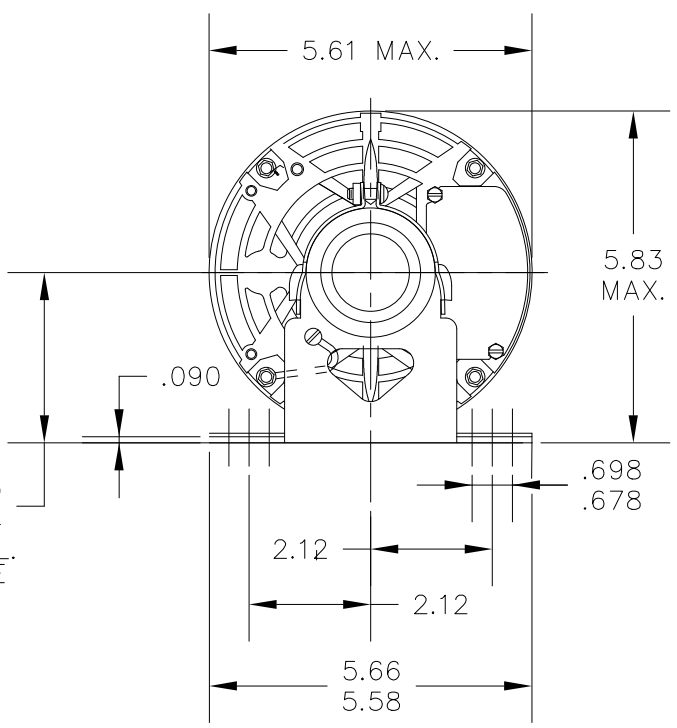
Phase	1	Output HP	0.33 Hp
Output KW	0.25 kW	Voltage	115 V
Speed	1725 rpm	Service Factor	1.15
Frame	48Y	Enclosure	Drip Proof
Thermal Protection	Automatic	Efficiency	57.3 %
Ambient Temperature	40 °C	Frequency	60 Hz
Current	5.6 A	Power Factor	0
Duty	Continuous	Insulation Class	B
KVA Code	N	Drive End Bearing Size	6203
Opp Drive End Bearing Size	6203	UL	Recognized
CSA	Yes	CE	N
Number of Speeds	1		

### Technical Specifications

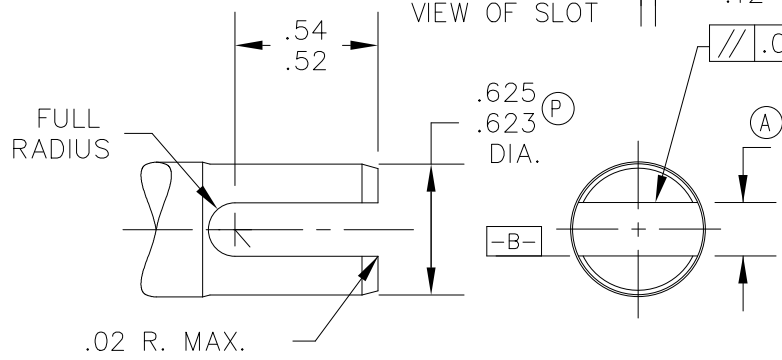
Electrical Type	Split Phase	Starting Method	SM
Poles	4	Rotation	Counterclockwise/Clockwise
Mounting	Resilient Base	Motor Orientation	ANY
Drive End Bearing	BALL	Opp Drive End Bearing	Ball
Frame Material	Rolled Steel	Overall Length	7.79 in
Frame Length	5.16 in	Shaft Diameter	0.625 in
Shaft Extension	0.17 in		
Outline Drawing	52A113052P1	Connection Drawing	52A105379AA

This is an uncontrolled document once printed or downloaded and is subject to change without notice. Date Created:09/18/2024

- SURFACES & DIMENSIONS
- (P) PROC.
  - (E) ENG.
  - (A) APPL.
  - (R) REG.



VIEW SHOWING P.E. VENTILATION OPENINGS



VIEW X-X ENLARGED VIEW OF SLOT

Ⓢ .004 -A-	Ⓢ .004 -A- -C- (A)
Ⓢ .004 -B-	Ⓢ .004 -A- -C- (A)
Ⓢ .004 -A-	Ⓢ .004 -A-

1	KH	32	48Y	7.79	3.55	4.28
P	TYPE	RBC SIZE	NEMA FR	C	L	M

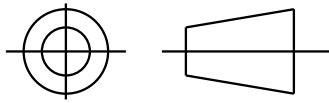
NO.	REVISION	BY & DATE	CHK	TOLERANCES UNLESS SPECIFIED	
				DEC.	INCHES
4	CHGD SHAFT DIA EXT WAS .490/.488 PER ECR-0222871	SN 12/20/2022	SN	.X	±0.1
3	PART # 2 DELETED AS PER IS12-4648	UD 9/26/12	KK	.XX	±0.02
2	CHG GD LD FROM 4:30 TO 7:30 PER IS11-0510.	UD 9/24/12	PKG	.XXX	±0.005
1	ADDED CORE SET TO PART #2.	KK 13/03/12		.XXXX	±0.0005
				ANG	±1.0

<b>REGAL-BELOIT CORPORATION</b>	DRAWN	GD 10/25/05
	CHK	
<b>TITLE</b> CARBONATOR PUMP - OPEN - RESIL. BASE	APPD	GD 10/25/05
	SCALE	1=1
<b>MAT'L.</b> FINISH	REF	
	FMF	
CAD FILE 52A113052	PREV	
	SIZE	A
DRAWING NO. 52A113052	REV.	4

THIS DRAWING IN DESIGN AND DETAIL IS OUR PROPERTY AND MUST NOT BE USED EXCEPT IN CONNECTION WITH OUR WORK ALL RIGHTS OF DESIGN AND INVENTION ARE RESERVED THIS IS AN ELECTRONICALLY GENERATED DOCUMENT - DO NOT SCALE THIS PRINT

SHEET 6  
REV 6  
52A105379AA  
SIZE DRAWING NO. A

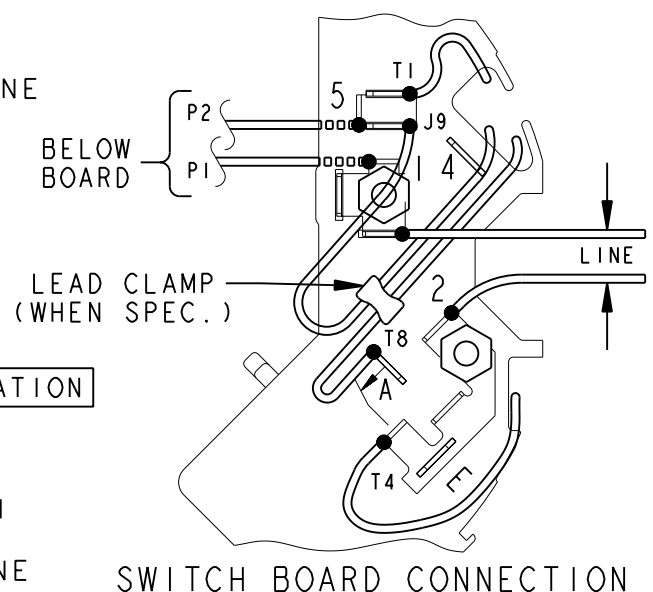
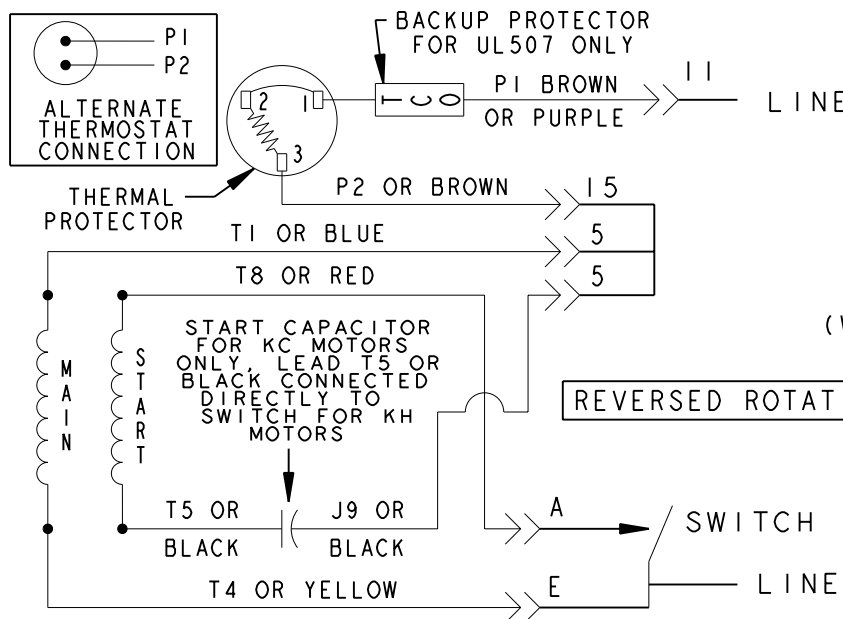
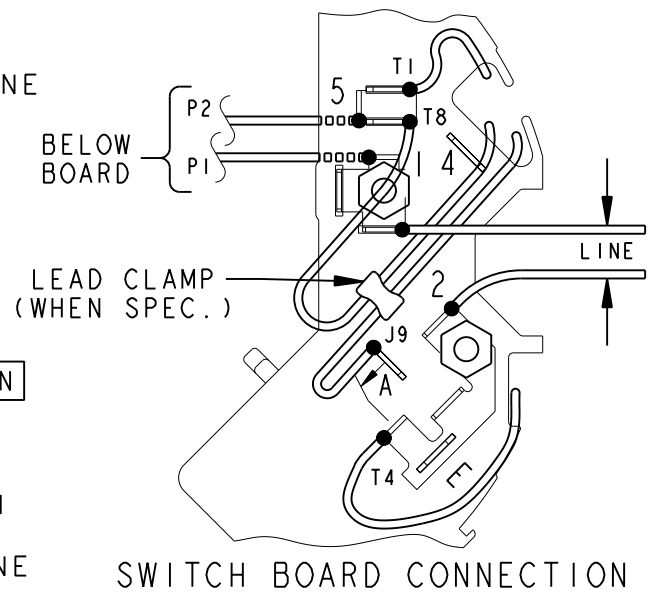
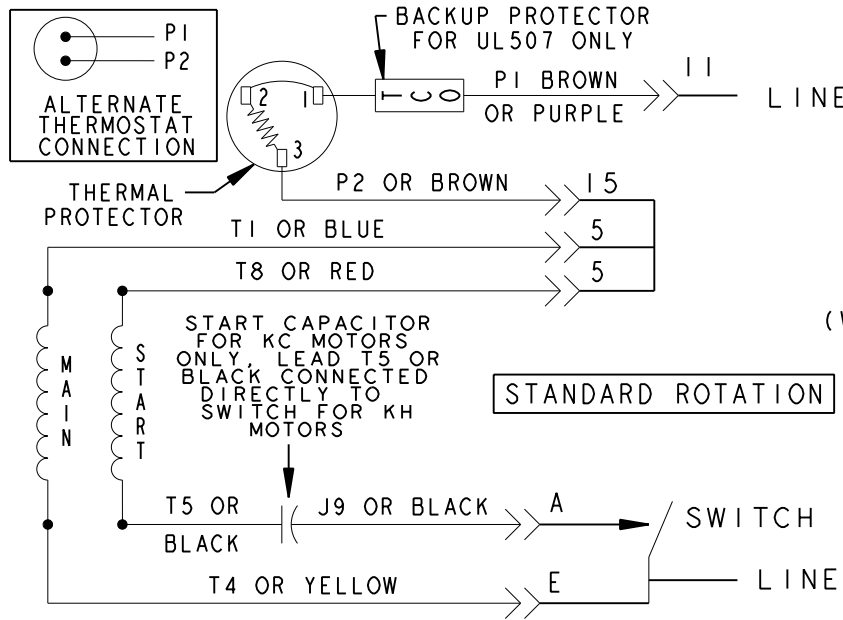
THIRD ANGLE PROJECTION



REVISIONS

REV.	DESCRIPTION	DATE	APPROVED
6	UPDATED FORMAT	12/01/05	MAM

EITHER ROTATION-SINGLE VOLTAGE-TYPE KC OR KH-WITH THERMAL PROTECTOR



NOTE #1 - TO REVERSE ROTATION INTERCHANGE RED (T8) AND BLACK (J9-KC OR T5-KH) LEADS.  
NOTE #2 - WHEN MORE THAN ONE CAPACITOR IS USED CONNECT IN PARALLEL.

SWITCH (C) - 115D958AB      REF. DIAG. - 121A851      CONN. LABEL - 52X332048

SIGNATURES		DATE
MODEL	M. D. PAPE	06/29/87
DETAIL	.	.
CHECKED	.	.
ENGRG	.	.
MFG	.	.
FOR ADDITIONAL INFO REFER TO:	QUALITY	.
APPLIED PRACTICES	ISSUED	M. D. P. 03/08/00
DIMENSIONS ARE IN INCHES ✓	SOLID MODEL: 52A105379AA	

**REGAL-BELOIT CORPORATION**

**CONNECTION DIAGRAM**

**FMF - 30 FR SWITCH REDESIGN**

SIZE DRAWING: A

SCALE: 1.000      REF. No: .

52A105379AA      REV 6

SHEET 1 of 1